

Ball Valves

Bi-Flow CO₂ Valves

RACE PB Bi-Flow CO₂ Valves



Customer Value Proposition:

Parker Bi-Flow CO₂ Ball valves are available for application on transcritical circuit and for high pressure side. OBH, with maximum working pressure of 120 bar and K65* connections, are available in a range of metric sizes from 6 to 54 mm, inch sizes from 1/4" to 2-1/8".

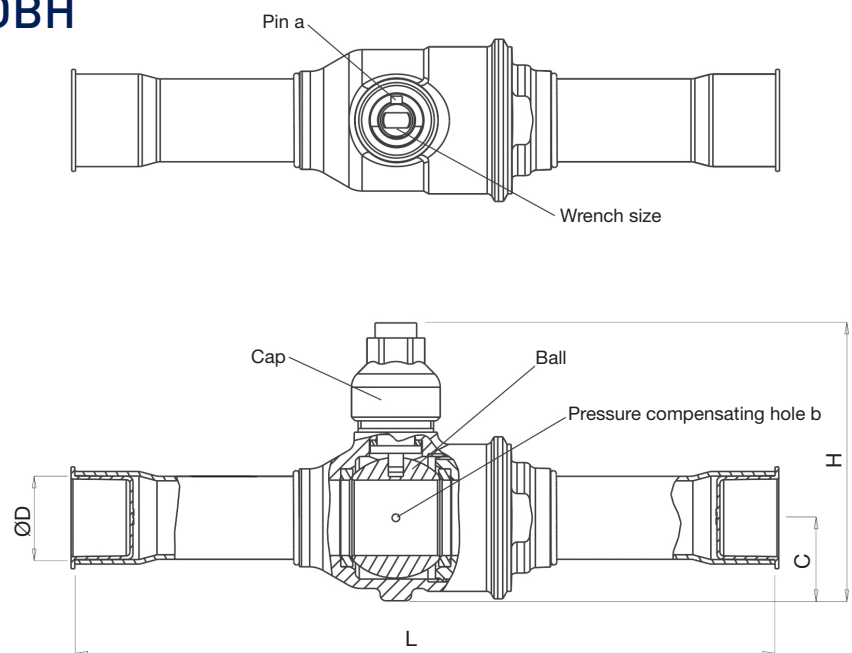
* Starting from 15mm - 5/8"

Main features

Ball: a small hole in one sealing face of the ball prevents refrigerant being locked within the ball when closed. It also allows the ball to exert a greater force against the Teflon Ball seal when closed, giving greater close-off safety.

Cap: brass cap thread is broached to ensure adequate venting when the cap is removed. The cap is also tagged to accommodate wiring and sealing where legislation demands.

OBH



Applications:

- Supermarkets
- Refrigeration

Advantages:

- Compact
- Reliable
- Vented cap
- Long life



ENGINEERING YOUR SUCCESS.

TECHNICAL DATA

OBH Metric Reference	Description	For tube O.D. mm	Bore Diameter mm	L mm	C mm	H mm	Kv Value m ³ /h	Weight g
OBH6mm	BV CO ₂ 120bar 6mm	6	10	126	13	49	1,6	159
OBH8mm	BV CO ₂ 120bar 8mm	8	10	132	13	49	4,2	163
OBH10mm	BV CO ₂ 120bar 10mm	10	10	132	13	49	5,3	168
OBH12mm	BV CO ₂ 120bar 12mm	12	10	140	13	49	6,6	171
OBH15mm	BV CO ₂ 120bar 15mm	15	16	146	18,5	61	13	293
OBH5 (5/8"-16mm)	BV CO ₂ 120bar 5/8"&16mm	16	16	146	18,5	61	13	295
OBH18mm	BV CO ₂ 120bar 18mm	18	16	146	18,5	61	17	297
OBH22mm	BV CO ₂ 120bar 22mm	22	20	185	22	72	26	510
OBH28mm	BV CO ₂ 120bar 28mm	28	25	205	26	78	41	760
OBH11 (1 3/8"-35mm)	BV CO ₂ 120bar 1 3/8"&35mm	35	32	208	32	92	86	1300
OBH42mm	BV CO ₂ 120bar 42mm	42	38	242	38,5	112	110	2300
OBH17 (2 1/8"-54mm)	BV CO ₂ 120bar 2 1/8"&54mm	54	50	273	48,5	130	208	3475

OBH Inches Reference	Description	For tube O.D. mm	Bore Diameter mm	L mm	C mm	H mm	Kv Value m ³ /h	Weight g
OBH2	BV CO ₂ 120bar 1/4"	1/4"	10	126	13	49	1,6	159
OBH3	BV CO ₂ 120bar 3/8"	3/8"	10	132	13	49	5,3	168
OBH4	BV CO ₂ 120bar 1/2"	1/2"	10	140	13	49	6,6	171
OBH5 (5/8" - 16mm)	BV CO ₂ 120bar 5/8"&16mm	5/8"	16	146	18,5	61	13	295
OBH6	BV CO ₂ 120bar 3/4"	3/4"	16	146	18,5	61	17	297
OBH7	BV CO ₂ 120bar 7/8"	7/8"	20	185	22	72	26	510
OBH9	BV CO ₂ 120bar 1 1/8"	1 1/8"	25	205	26	78	41	760
OBH11 (1 3/8"-35mm)	BV CO ₂ 120bar 1 3/8"&35mm	1 3/8"	32	208	32	92	86	1300
OBH13	BV CO ₂ 120bar 1 5/8"	1 5/8"	38	242	38,5	112	110	2300
OBH17 (2 1/8"-54mm)	BV CO ₂ 120bar 2 1/8"&54mm	2 1/8"	50	273	48,5	130	208	3475

